

Fixture Hangers: Fixture Hanger, DCH series



**Flameproof
Zone 1 & 2 – 22**

Application

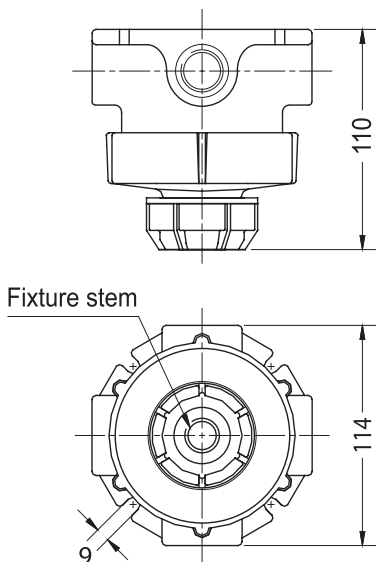
The DCH fixture hangers are designed for suspension or pipe pendant mounting of the lighting fixtures. They are suitable for use in zone 1, 2 and zone 22 explosive atmospheres.

Specification

Body material : Marine grade copper-free aluminium alloy with polyester powder coated, RAL 7032 (Grey)



Dimension



Technical Data

Hazardous Area	Gas	Dust
Zones	1 & 2	22
Conforming to ATEX	II 2G	II 2D
Symbol of Protection ATEX	Ex db IIB Gb	Ex tc IIIC Dc
Symbol of Protection IEC		
Standard	ATEX Directive 2014/34/EU, std. EN 60079-0:2012, EN 60079-1:2014, EN 60079-31:2014	
	IECEX Scheme, std. IEC 60079-0:2011, IEC 60079-1:2014, IEC 60079-31:2013	
Ambient Temperature	-20 °C to +75 °C	
Index of Protection	IP54	

Catalogue Number

DCH	X	X	X
Series	Type: C = 2-hubs straight T = 3-hubs L = 2-hubs angle X = 4-hubs	Entries: 1 = 1/2" NPT 2 = 3/4" NPT	Fixture stem: 1 = 1/2" NPT 2 = 3/4" NPT

Cat. No.	Diagram	Entries Thread	Fixture Stem Size	Volume (dm ³)	Approx. Weight (kgs.)
----------	---------	----------------	-------------------	---------------------------	-----------------------

2- Hubs straight

DCHC 11		1/2" NPT	1/2" NPT	0.41	0.868
DCHC 12		1/2" NPT	3/4" NPT	0.41	0.856
DCHC 21		3/4" NPT	1/2" NPT	0.41	0.875
DCHC 22		3/4" NPT	3/4" NPT	0.41	0.863

3- Hubs

DCHT 11		1/2" NPT	1/2" NPT	0.42	0.868
DCHT 12		1/2" NPT	3/4" NPT	0.42	0.856
DCHT 21		3/4" NPT	1/2" NPT	0.42	0.875
DCHT 22		3/4" NPT	3/4" NPT	0.42	0.860

2- Hubs angle

DCHL 11		1/2" NPT	1/2" NPT	0.41	0.868
DCHL 12		1/2" NPT	3/4" NPT	0.41	0.856
DCHL 21		3/4" NPT	1/2" NPT	0.41	0.875
DCHL 22		3/4" NPT	3/4" NPT	0.41	0.863

4- Hubs

DCHX 11		1/2" NPT	1/2" NPT	0.43	0.868
DCHX 12		1/2" NPT	3/4" NPT	0.43	0.856
DCHX 21		3/4" NPT	1/2" NPT	0.43	0.875
DCHX 22		3/4" NPT	3/4" NPT	0.43	0.863