

Lighting: LED Exit Sign, DFD - 15 - E Series



**Flameproof
Zone 1 & 2 – 21 & 22**

Specification

Body material : Marine grade copper-free aluminium alloy with polyester powder coated, RAL 7032 (grey)
Glass tube : Borrosilicate glass
Exit letter : One side white sign on green plate

Electrical

Operation : Non-maintained mode
Battery : Ni-MH, 6V. 4Ah
Recharge time : 24-hours from fully discharge
Emergency duration : 2-hours

Technical Data

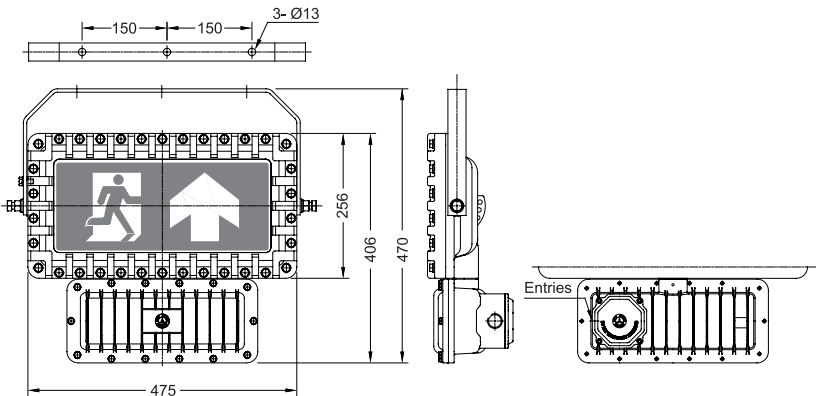
Hazardous Area	Gas	Dust
Zones	1 & 2	21 & 22
Conforming to ATEX	Ex II 2G	Ex II 2D
Symbol of Protection ATEX	Ex db eb IIB Gb	Ex tb IIIC Db
Symbol of Protection IEC		
ATEX Certificate	TÜV CY 16 ATEX xxxx	
Standard	ATEX Directive 2014/34/EU, std. EN 60079-0:2012 + A11:2013, EN 60079-1:2014, EN 60079-7:2015, EN 60079-31:2014	
	IECEX Scheme, std. IEC 60079-0:2011, IEC 60079-1:2014, IEC 60079-7:2015, IEC 60079-31:2013	
Ambient Temperature	-20 °C to +55 °C	
Index of Protection	IP66	
Entries	M25x1.5 or Ø3/4" NPT	
Mounting	Bracket mount	
Rated Voltage	220-230V.AC. ±5% 50/60Hz.	



Catalogue Number

DFD - **15** - **E** - \square
 Series: Lamp Watt: 15 = 15W. LED Emergency Unit Exit Signs/Symbols: A, B, C, or D

Lamp Watt	Cat. No.	Temp. Class (for zone 1 & 2)		Max. Surface Temp (for zone 21 & 22)		Approx. Weight (kgs.)
		Ta 40 °C	Ta 55 °C	Ta 40 °C	Ta 55 °C	
15W.	DFD-15-\square	T6	T6	T85°C	T85°C	16.0



Exit Signs/ Symbols (\square)

